

Parts in Bag 1



Outlet elbow



Fixing seat



Pipe clamp



Inlet angle valve



Inlet Pipe Mud Guard



Outlet Pipe Mud Guard



Long bolt (2)



Proective casing (2)



Lag Screw (4)



Anchor (4)

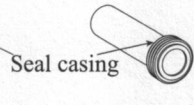


Angle fixation (2)

Parts in Bag 2



Straight outlet pipe



Inlet pipe



Lubricated sponge



Nut (2)



Washer (2)

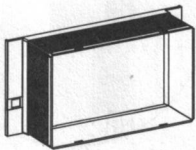


Eccentric gasket (2)

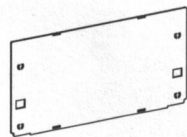


Decorative cap (2)

Parts in Bag 3



Protective frame



Proective cap



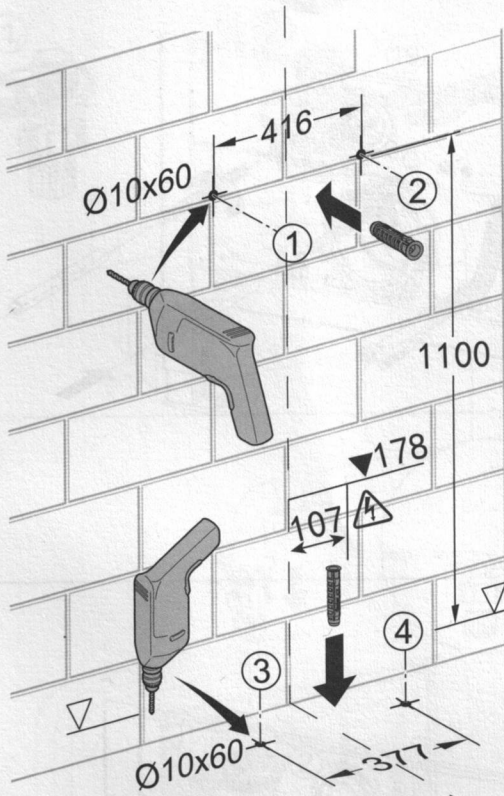
Installation Instruction

Parts in Bag 4

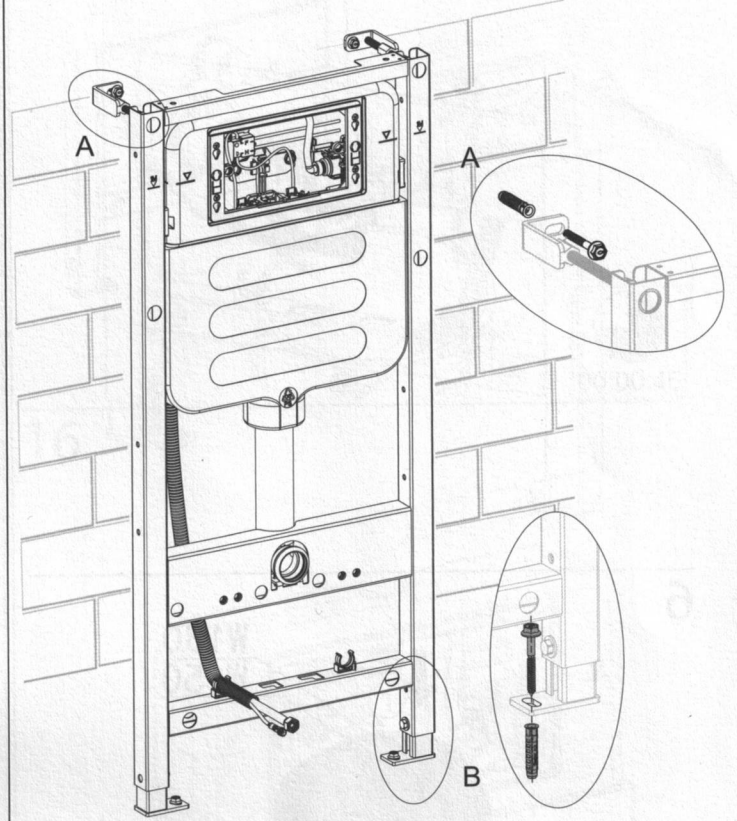


Short corrugated pipe

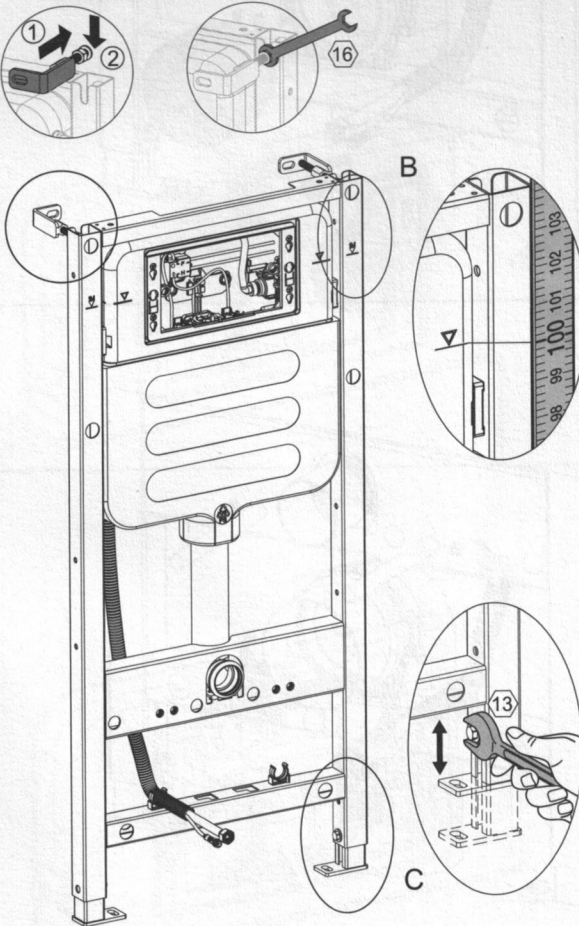
1



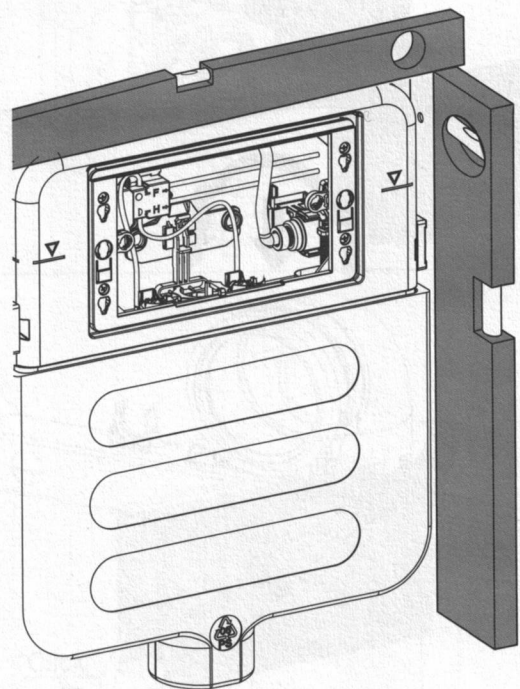
3



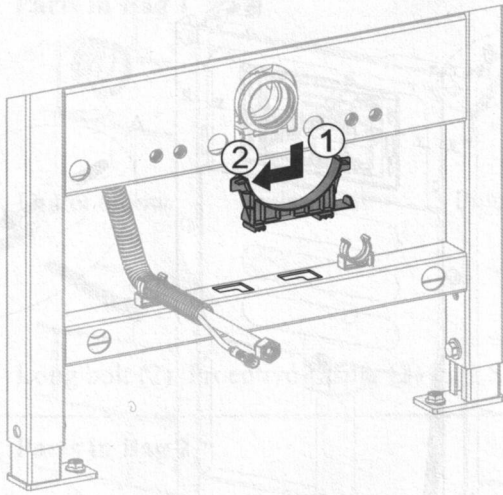
2



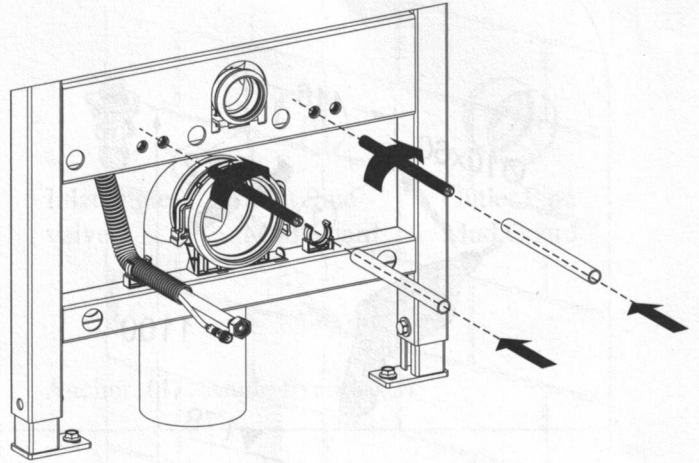
4



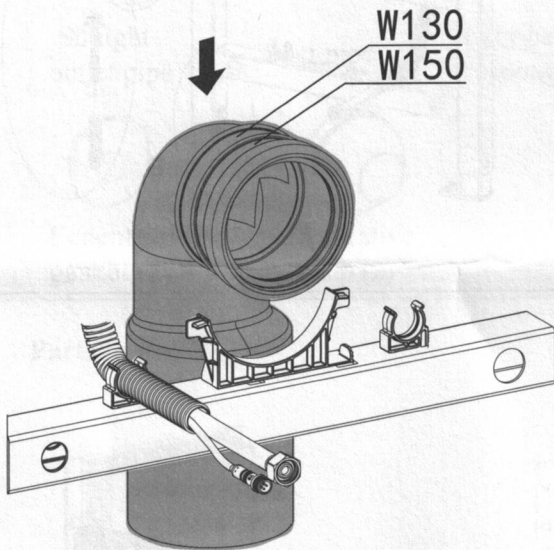
5



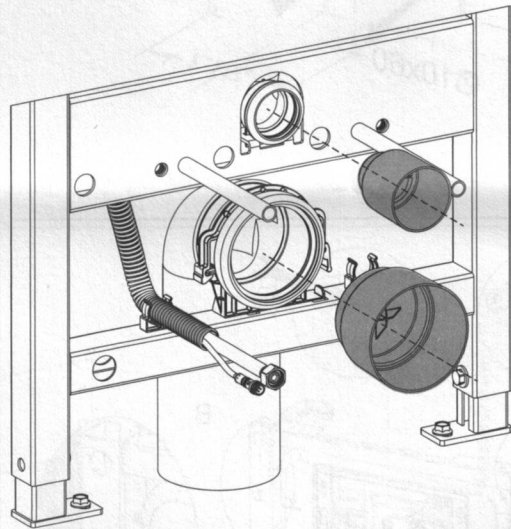
8



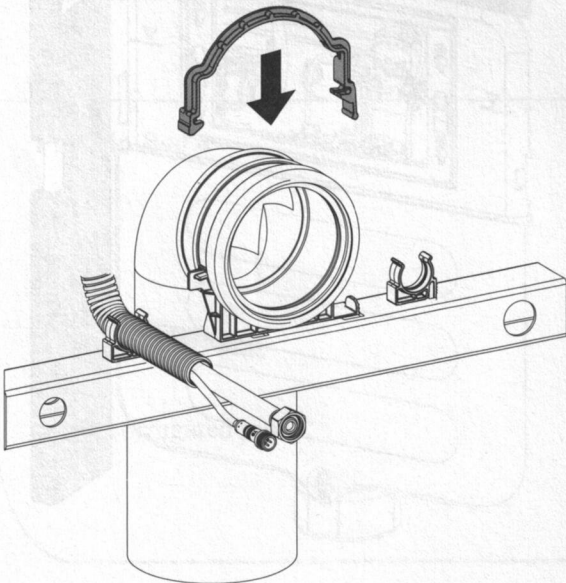
6



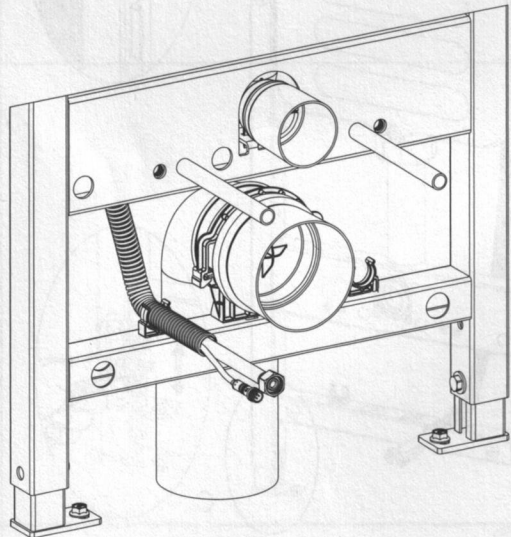
9



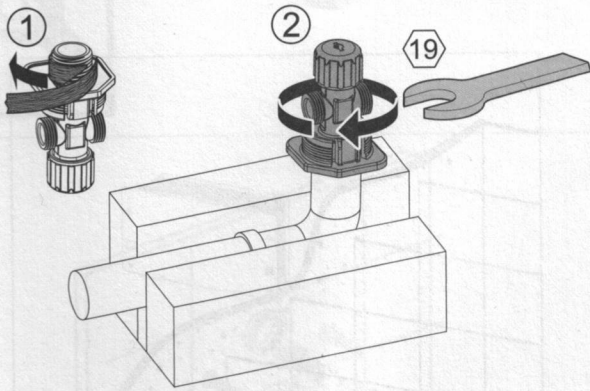
7



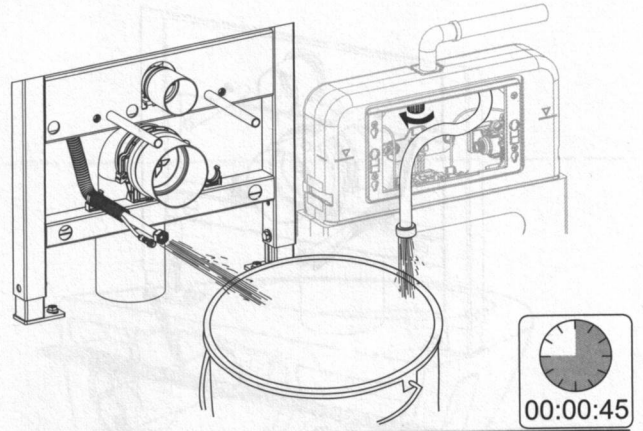
10



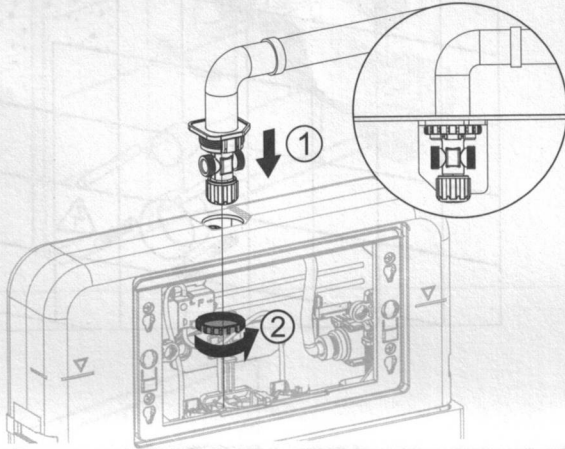
11



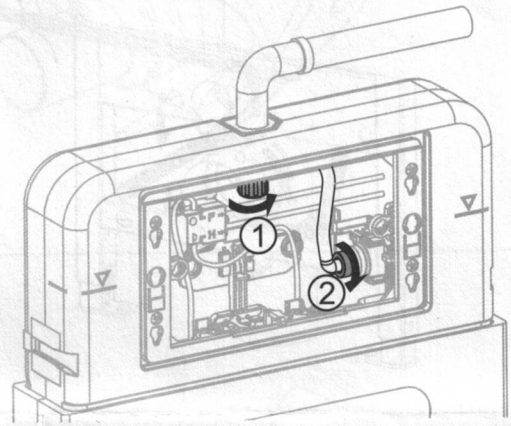
15



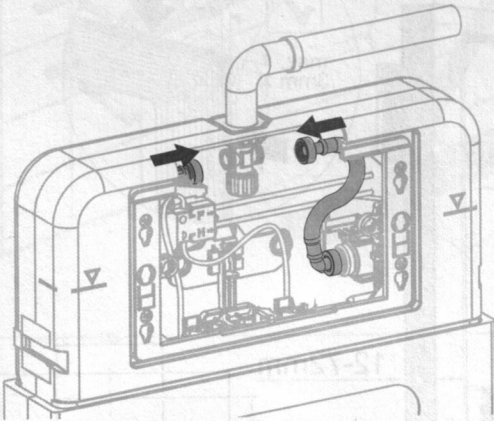
12



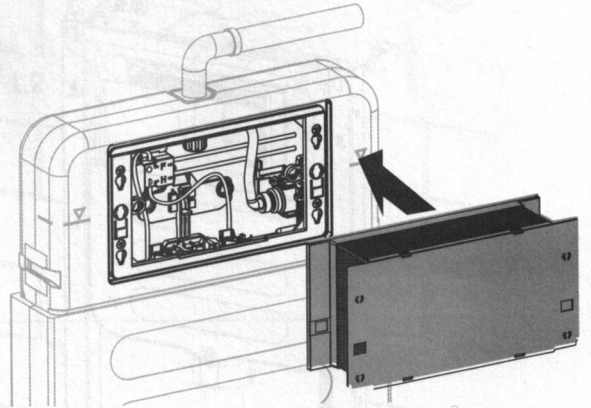
16



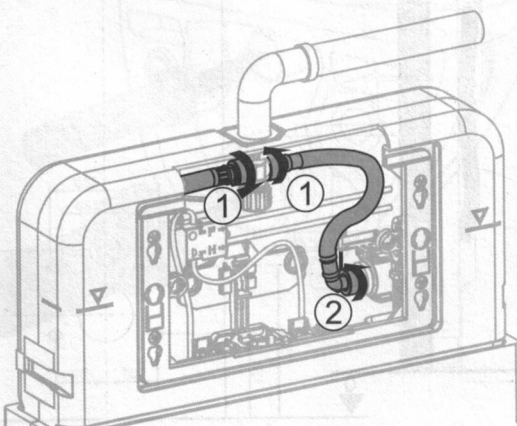
13



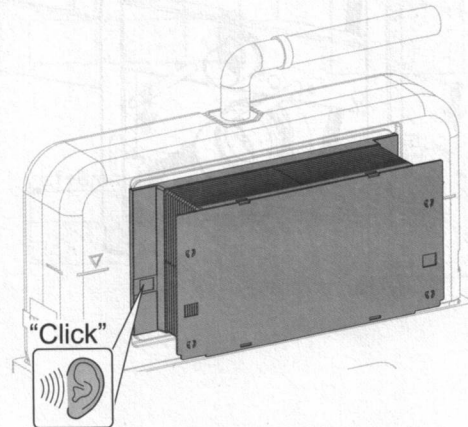
17



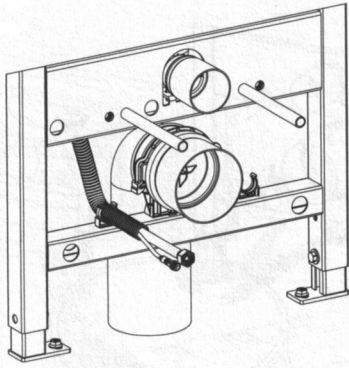
14



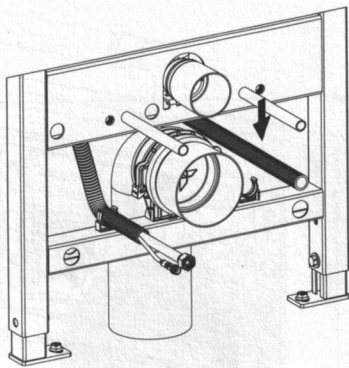
18



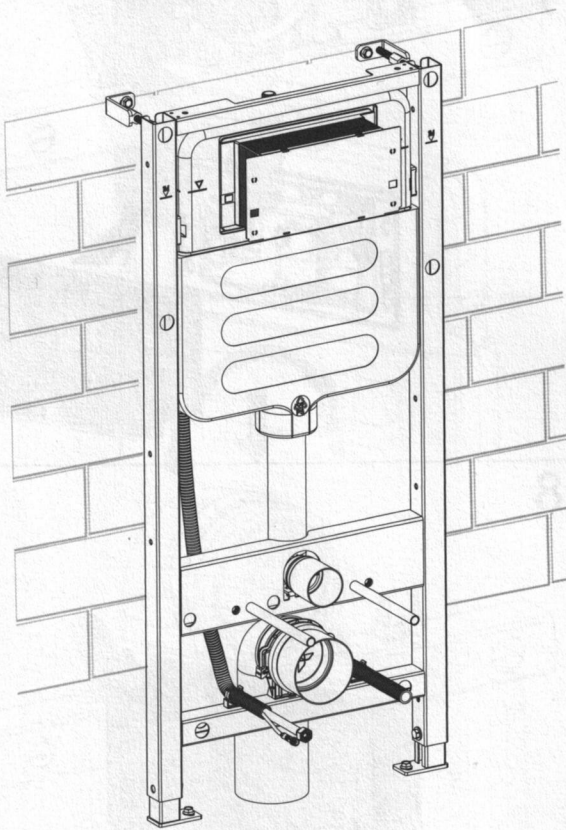
19



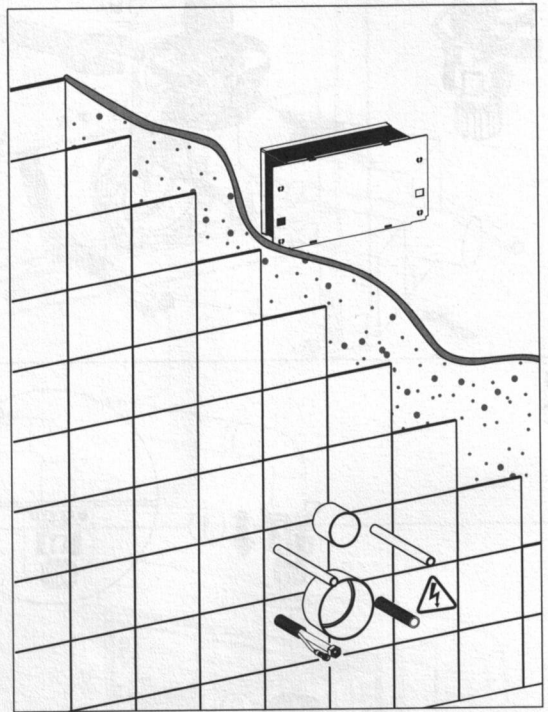
20



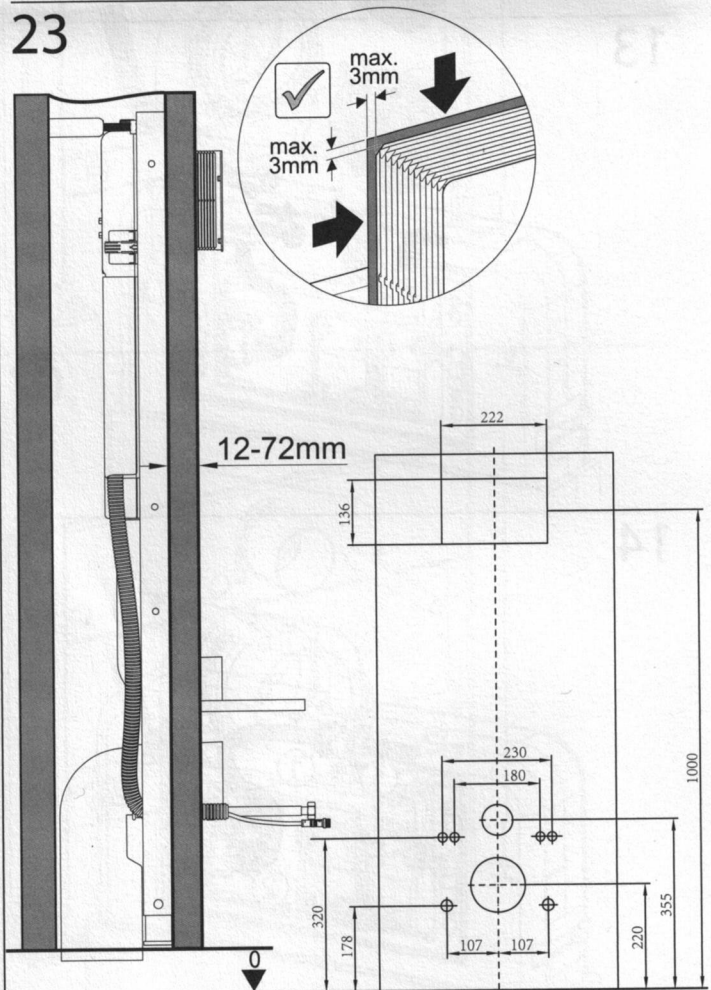
21

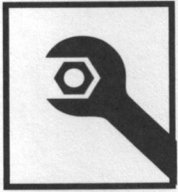


22

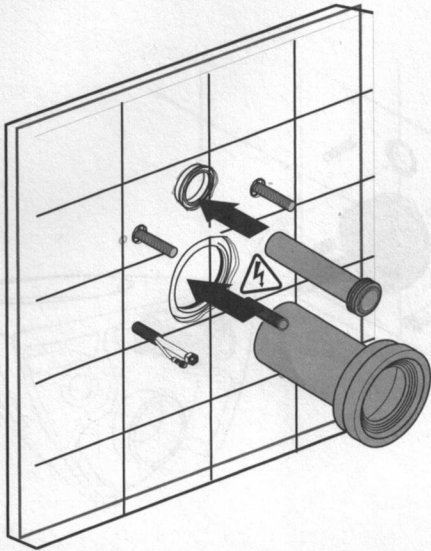


23

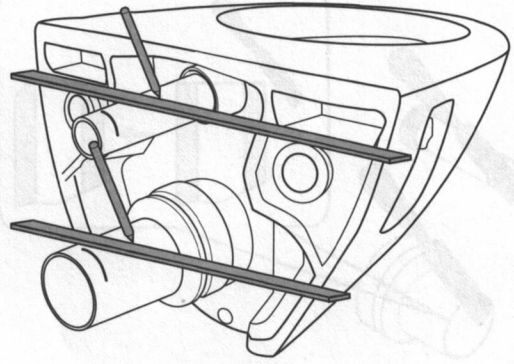




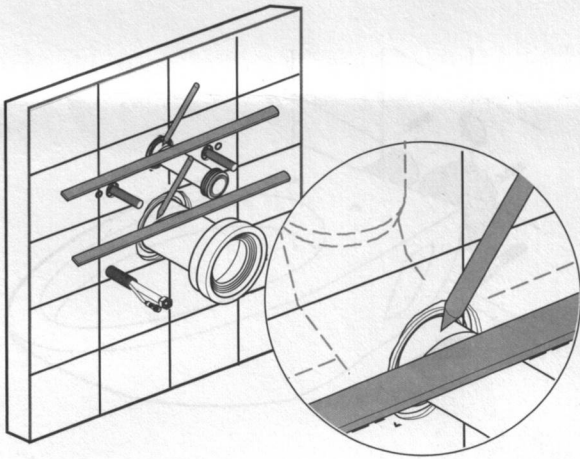
1



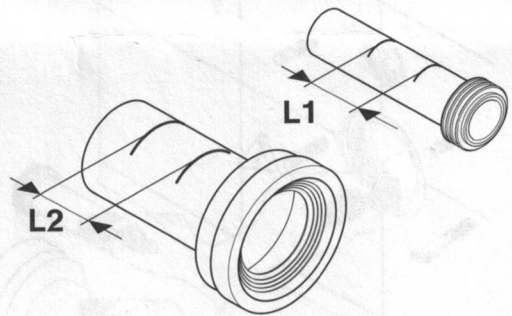
4



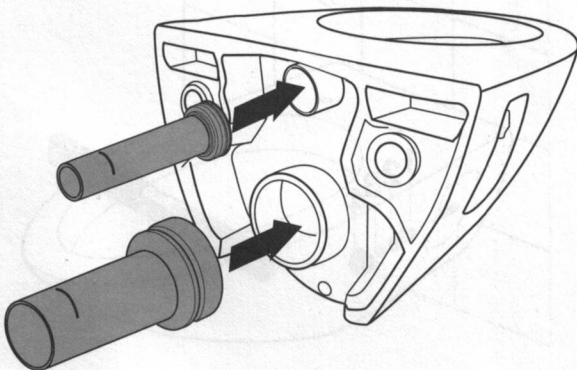
2



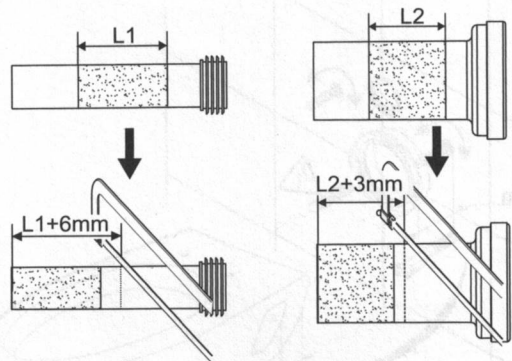
5



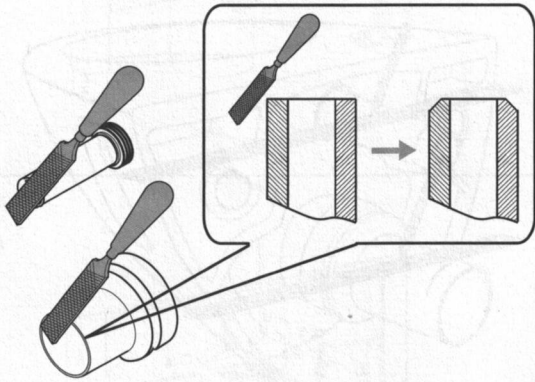
3



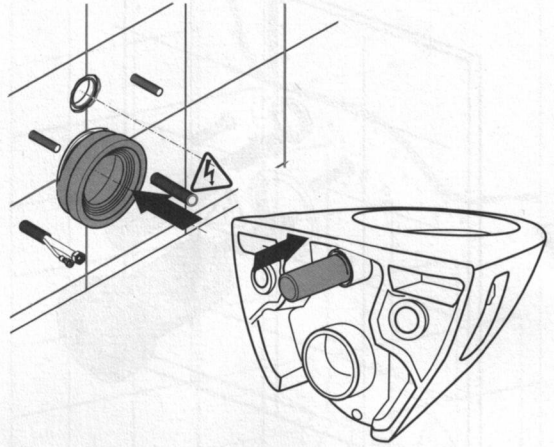
6



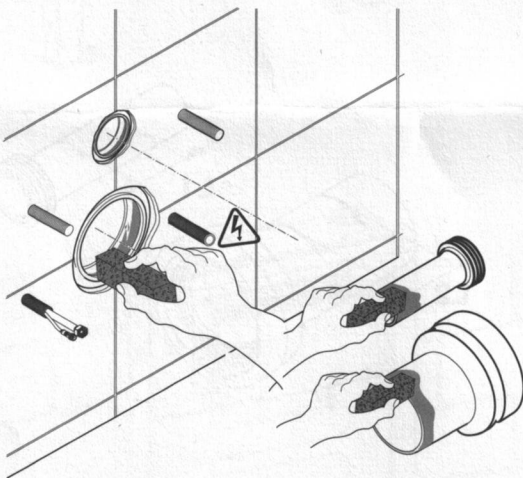
7



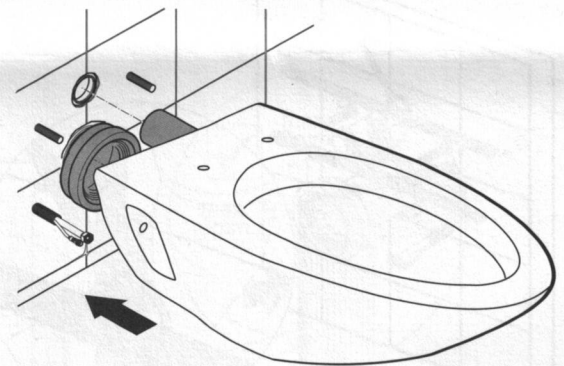
10



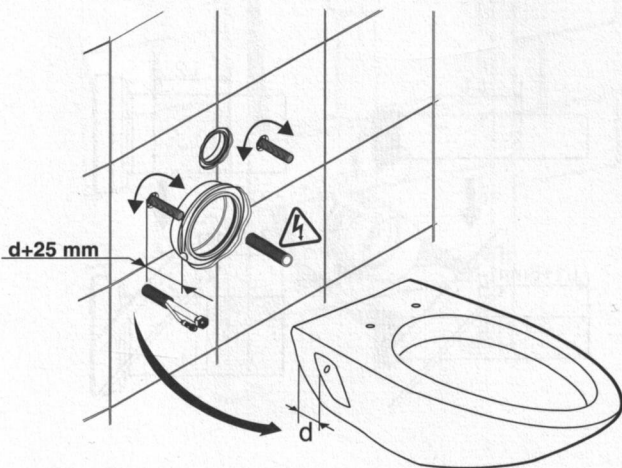
8



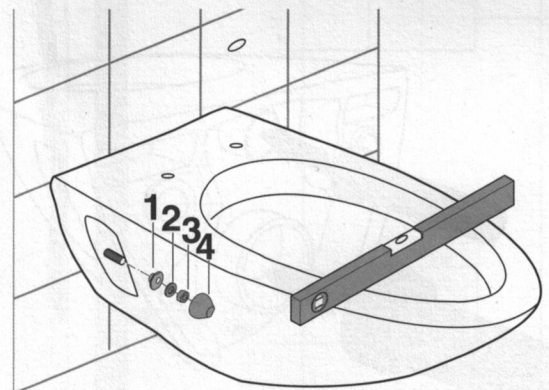
11



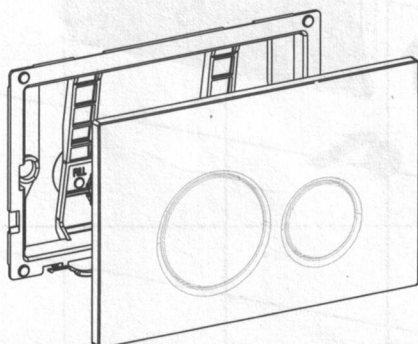
9



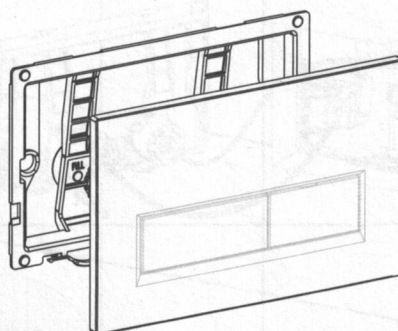
12



INSTRUCTION MANUAL FOR ASSEMBLY OF CONTROL PLATE



EP001



EP002

